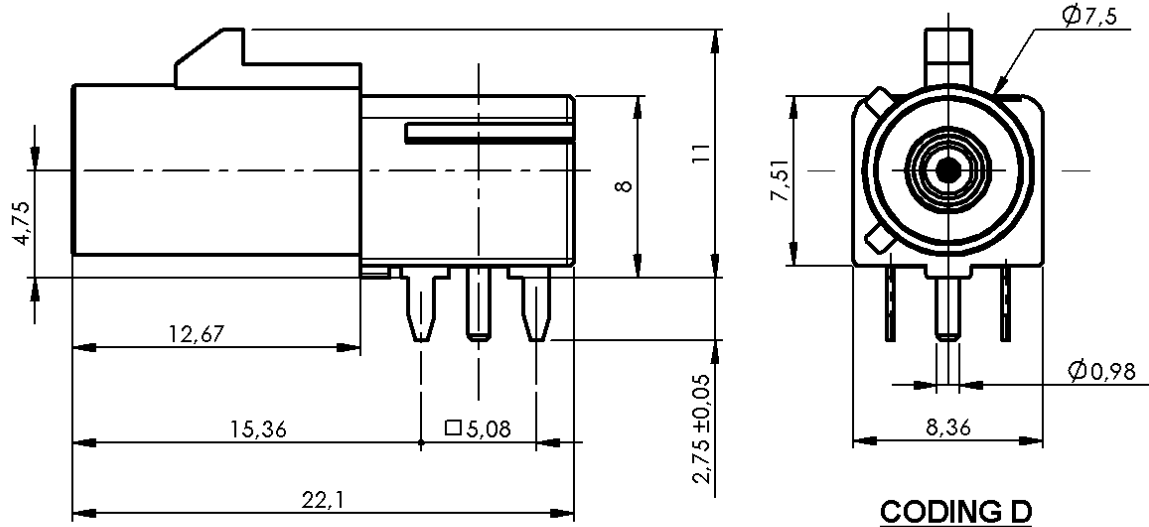


R/A MALE RECEPTACLE FOR PCB
SOLDER LEGS - IN STICK PACKAGING BY 24

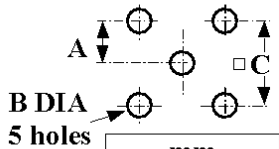
R197.166.D20

Series : **SMB**
CARLOCK

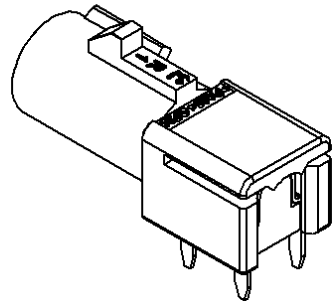
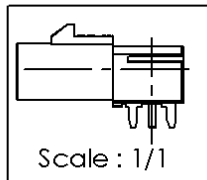


CODING D

PANEL CUT OUT



	mm	
	Maxi	mini
A	2.59	2.49
B	1.4	1.3
C	5.16	5



THE CONNECTOR MUST BE HOLD IN PLACE DURING THE SOLDERING OPERATION

All dimensions are in mm.

COMPONENTS	MATERIALS	PLATINGS (µm)
BODY	BRASS	TIN 3 OVER NICKEL 2 (bright aspect)
CENTER CONTACT	BRASS	GOLD 0.5 OVER NICKEL 2
OUTER CONTACT		
INSULATOR	POLYPROPYLENE	
GASKET		
OTHERS PARTS	PA 6.6 30% GF (Polyamide)	RAL 4004 VIOLET (UL 94 V-2)
-	-	-
-	-	-

Issue : 0411 A

In the effort to improve our products, we reserve the right to make changes judged to be necessary.



R/A MALE RECEPTACLE FOR PCB

R197.166.D20

SOLDER LEGS - IN STICK PACKAGING BY 24

Series : **SMB**
CARLOCK

PACKAGING

SPECIFICATION

Standard	Unit	Other
24	'W' option	Contact us

QS9000

ELECTRICAL CHARACTERISTICS

ENVIRONMENTAL

Impedance		50 Ω
Frequency		0-3 GHz
VSWR	1.35* +	0.000 x F(GHz) Maxi
Insertion loss		NA √F(GHz) dB Maxi
RF leakage	- (NA - F(GHz)) dB Maxi
Voltage rating		335 Veff Maxi
Dielectric withstanding voltage		1000 Veff mini
Insulation resistance		1000 MΩ mini

Operating temperature	-40/+90 ° C
Hermetic seal	NA Atm.cm3/s
Panel leakage	NA

OTHERS CHARACTERISTICS

MECHANICAL CHARACTERISTICS

Center contact retention	
Axial force – Mating end	10 N mini
Axial force – Opposite end	10 N mini
Torque	NA N.cm mini

Recommended torque	
Mating	NA N.cm
Panel nut	NA N.cm

Mating life	100 Cycles mini
Weight	1.730 g

Assembly instruction

Others :

*Coax Transmission Line Only

** abrasion of the Tin plating after 10 cycles, electrical continuity is garanted by the Nickel underplate.

Issue : 0411 A

In the effort to improve our products, we reserve the right to make changes judged to be necessary.

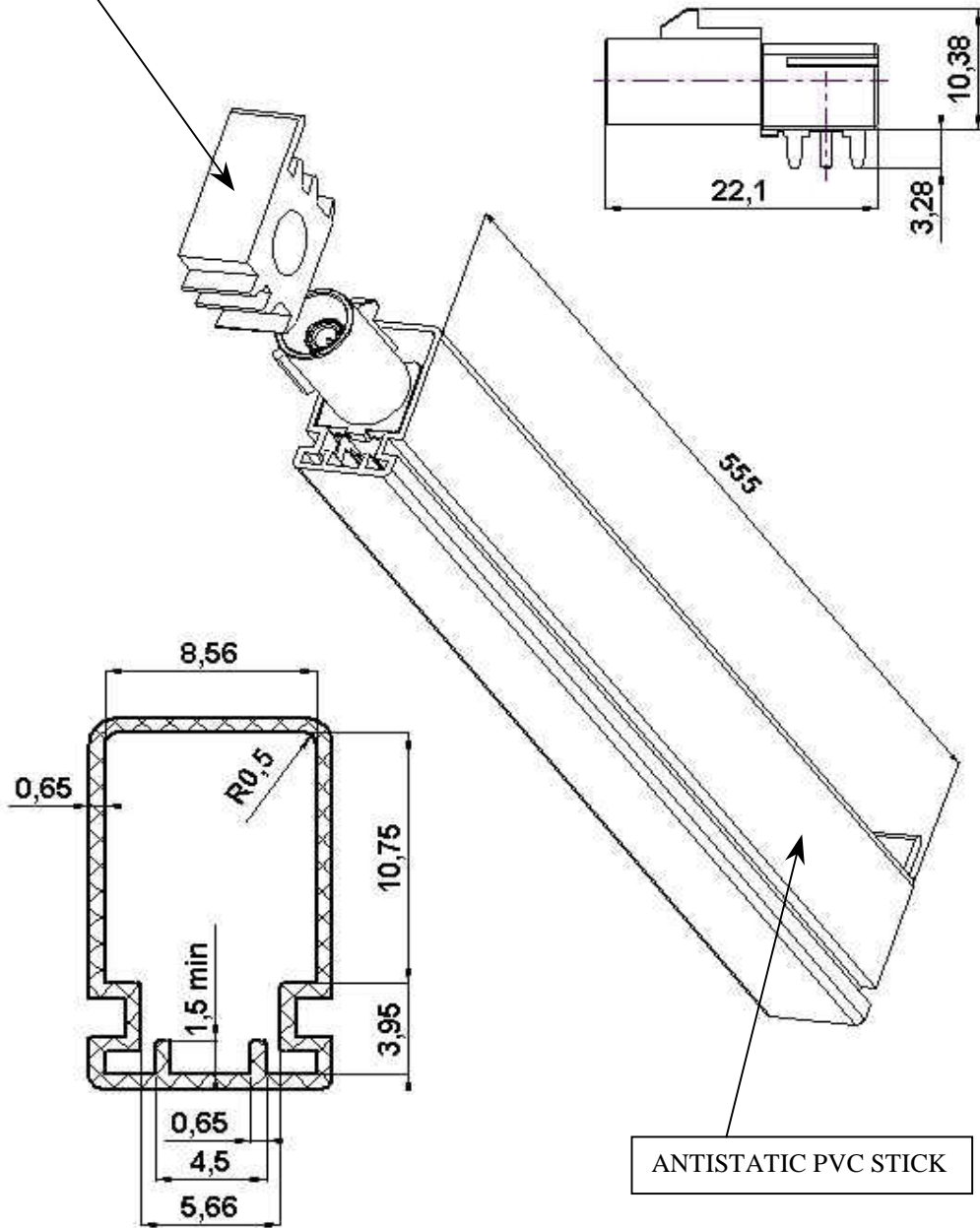


R/A MALE RECEPTACLE FOR PCB
SOLDER LEGS - IN STICK PACKAGING BY 24

R197.166.D20

Series : **SMB**
CARLOCK

ONE NUT BY SIDE



Issue : 0411 A

In the effort to improve our products, we reserve the right to make changes judged to be necessary.

